

## **Battery Box Instructions**

### **To Remove The Airbox**

Remove seats/hump and mounts

Remove seat brackets

Remove air intake cover

Remove fuel tank

Remove battery

Disconnect left and right throttle hubs

Remove left and right footrest brackets and ancillaries

Remove exhaust and exhaust actuator

Remove rear seat frame if attached

Remove number plate hanger and lights

Remove luggage frame

Remove rear wheel

Remove air intake pipe

Remove gearshift lever and selector shaft

Disengage line for clutch slave cylinder

Remove side stand

Remove brake hose cover

Disengage cable for rear speed sensor

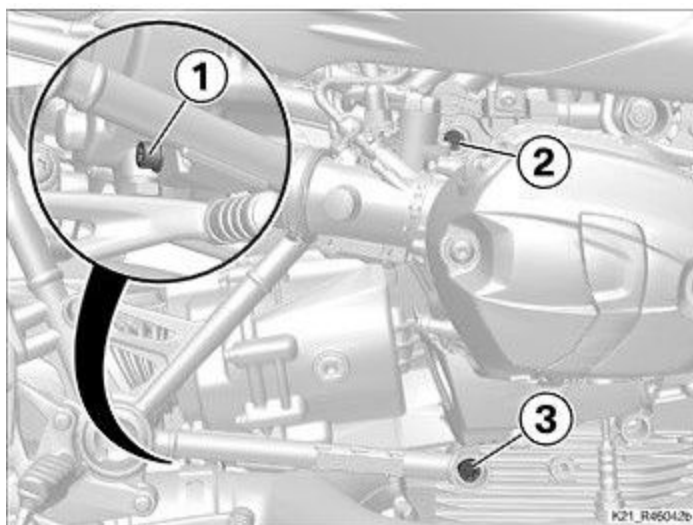
Remove rear caliper

Disengage link from rear frame to final drive

Release rear spring strut at top

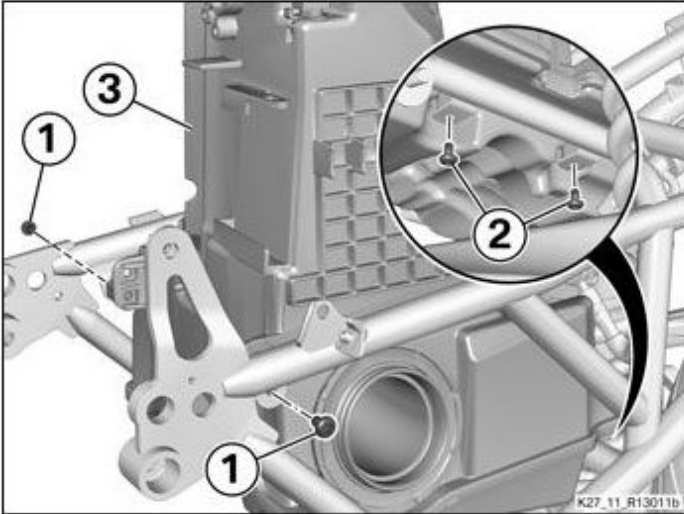
Remove swing arm and strut

Disengage wiring harness from air box

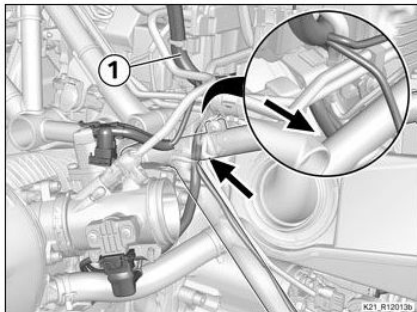


- Remove screw (1).
- Remove screw (2) on left and right.
- Remove screws (3) on left and right.

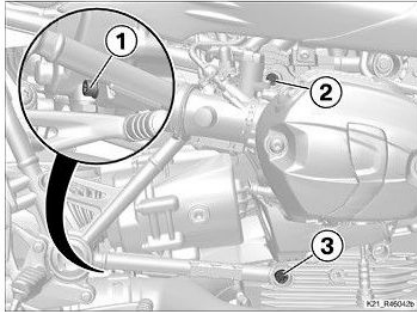
## (-) Remove the intake air silencer



- Remove screws (1) and (2).
- Remove intake air silencer (3).



- Align wiring harness (1), noting the bottleneck (arrow).



- Insert new screws (2) on left and right.
- Insert screws (3) on left and right.
- Install screw (1).
- Tighten screws (2) and (3).
- At the end, tighten screw (1).

Tightening torques	
<b>Rear frame to engine/transmission</b>	
Top, M10 x 40, Replace screw Thread-locking compound (Micro-encapsulated)	38 Nm
Bottom, M12 x 50	66 Nm
rear right, to gearbox, M8 x 55	19 Nm

Refit subframe using frame bolts supplied.

## **Follow-up work**

Securing throttle-cable divider and wiring harness to intake air silencer

Securing line for clutch slave cylinder

Installing swinging arm with spring strut

Secure the rear spring strut at top

Securing bevel gears and link

Securing rear brake caliper

Installing luggage frame

Installing rear-seat frame

Securing wiring harness and rear brake to rear frame

Installing rear-wheel cover

Installing number-plate carrier with rear lights

Securing plug for rear wheel-speed sensor

Installing brake hose cover

Installing side stand

Installing side-stand springs

Installing selector rod with selector shaft

Installing gearshift lever

Installing left footrest plate

Installing right footrest plate

Securing footbrake cylinder to front footrest plate

Connecting rear brake-light switch and securing cable

Install the rear wheel

Installing silencer with exhaust-flow control valve and actuator motor

Installing retaining bridge for front seat

Securing control unit for central frame and suspension electronics

Installing both brackets for front seat

Securing mount for front seat

Installing front seat

Installing rear seat

Fit air filters.

It may be worth asking your local BMW dealer or independent to rebalance the throttles.

## To Fit Battery Box

Remove tank using methods above.

Use Battery box as a template to drill three holes in the rear flat section of the tank as shown in diagrams below. Mount using bolts and nuts supplied.

Refit tank and seat.



